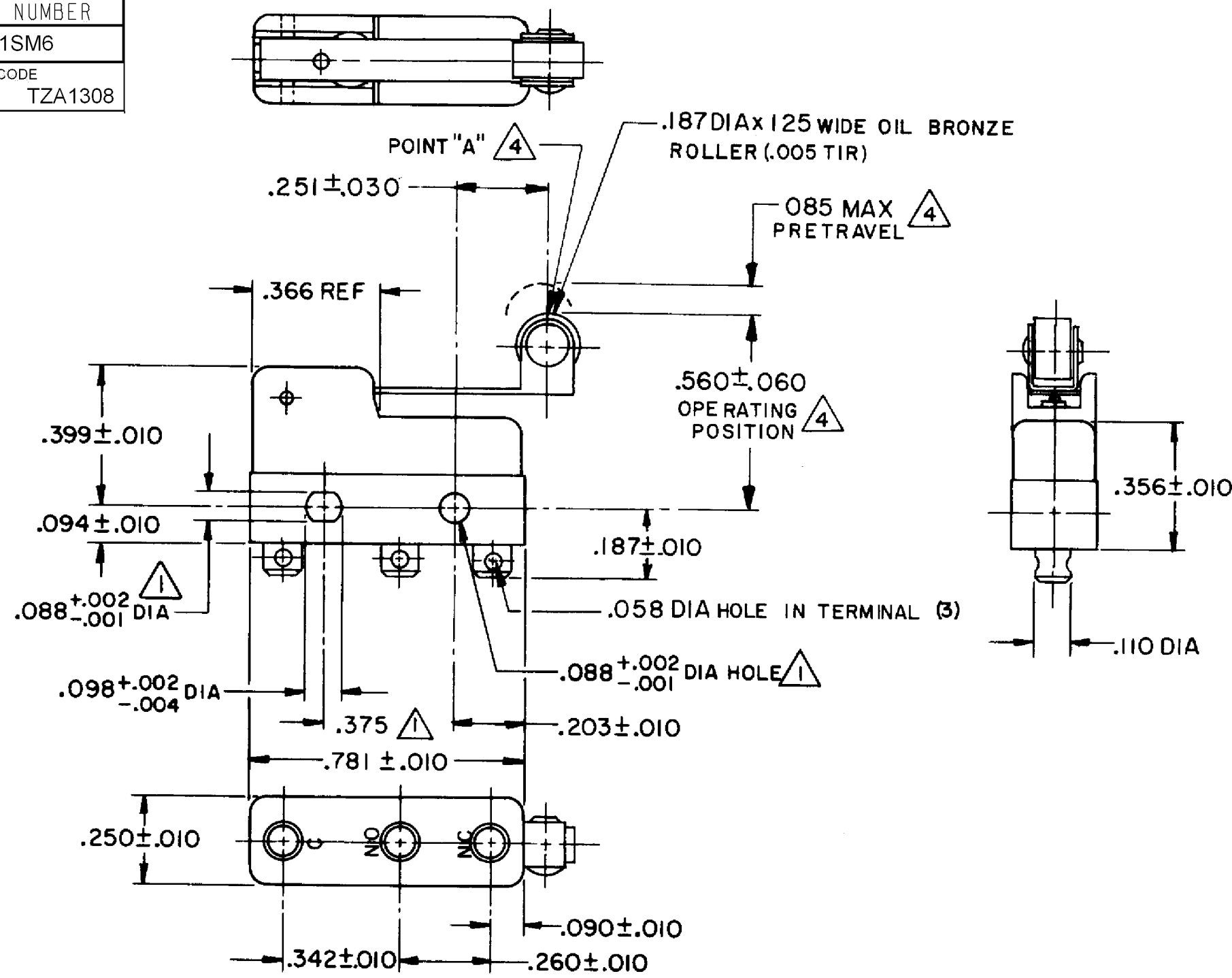


HONEYWELL  
PART NUMBER  
311SM6  
PRODUCT CODE  
TZA1308

REV	DOCUMENT	CHANGED BY	CHECK
5	0038113	PRS 12JUN08	BLR



NOTE -  
 1 MOUNTING HOLES WILL ACCEPT PINS OR SCREWS OF .087 MAX DIA ON .375 ± .002 CENTERS  
 2- SWITCH WILL WITHSTAND TEMPERATURE OF 250°F  
 3- TERMINALS ARE PLATED FOR SOLDERING  
 4 CHARACTERISTICS TAKEN AT POINT "A"

RELEASE NO.	PR - 5606
REPLACES	-

CHARACTERISTICS	4
OPERATING FORCE	40 GRAM MAX
RELEASE FORCE	7 GRAM MIN
DIFFERENTIAL TRAVEL	.019 MAX
OVERTRAVEL	.018 MIN

ELECTRICAL DATA		
CONTACT ARRANGEMENT SPDT		
30 VOLTS DC RATING		
	SEA LEVEL	50,000 FT
INDUCTIVE	3 AMP	2.5 AMP
RESISTIVE	5 AMP	5 AMP
MAXIMUM INRUSH 24 AMP		
APPROVALS	KEMA, CE	5A, 250V ~ T85 1E4
	UL, CSA	5A, 250 VAC ~

DESIGN UNITS: INCH
TOLERANCES UNLESS NOTED:
NO PLACE X ±
ONE PLACE .X ±
TWO PLACE .XX ±
THREE PLACE .XXX ±
FOUR PLACE .XXXX ±
ANGLES ±
THIRD ANGLE PROJECTION

DRAWN	VK	05 NOV 07
CHECK	RJ	05 NOV 07
THIS DRAWING COVERS A PROPRIETARY ITEM AND IS THE PROPERTY OF HONEYWELL. THIS DRAWING IS NOT TO BE COPIED OR USED WITHOUT THE PERMISSION OF HONEYWELL.		
INTERPRET PER ANSI Y14.5M-1982 OTHER HONEYWELL ENGINEERING STANDARDS MAY APPLY		
RASTER		

<b>Honeywell</b>			
TITLE SWITCH - BASIC			
SIZE	TYPE	DRAWING NAME	REV
B	I	311SM6	5
SCALE	-	WEIGHT .006 LB MAX	SHEET 1 OF 1